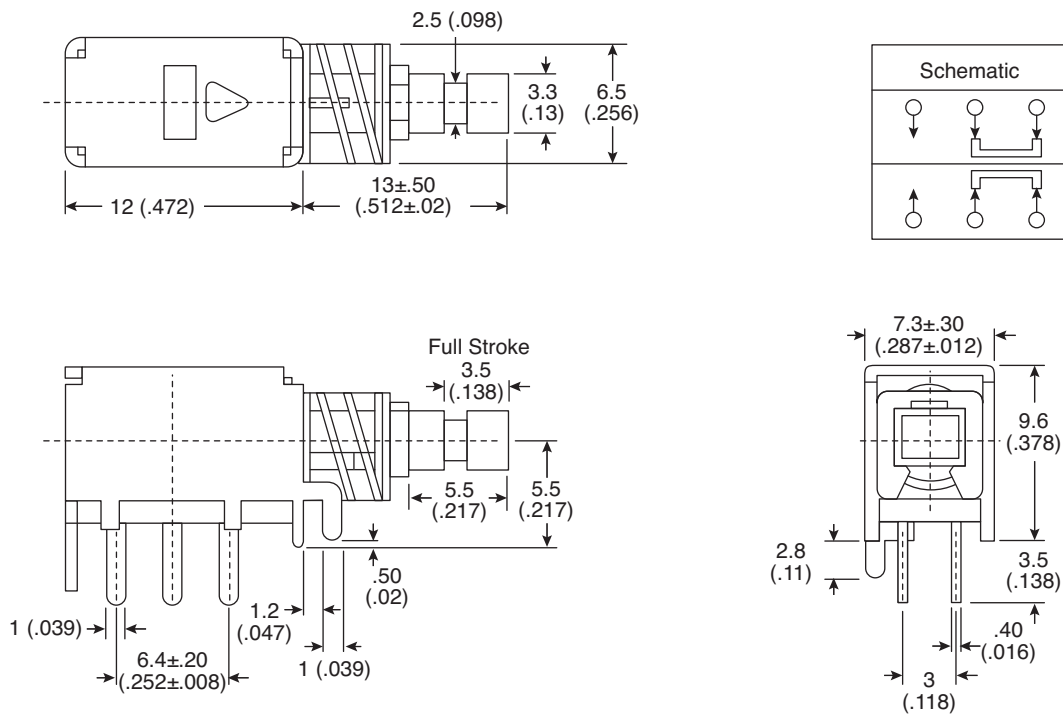




Pushbutton Switch 105-SP70030F-13F1

Dimensions: mm (in.)



Electrical Specifications:

- Rating: 0.3A/125VAC
- Contact resistance: 25mΩ max.
- Insulation resistance: 500VDC - 100MΩ min.
- Dielectric strength: 500VAC for 1 minute

Note:

- RoHS Compliant

Mechanical Specifications:

- Rotation torque: 300±150gf
- Life cycle: 10,000 cycles
- Operating force: 300±150gf-cm
- Timing: Non-shorting